









VAIA Washstand fitting with electronic opening and closing function without pop-up waste - Brushed Dark Platinum

44 521 809



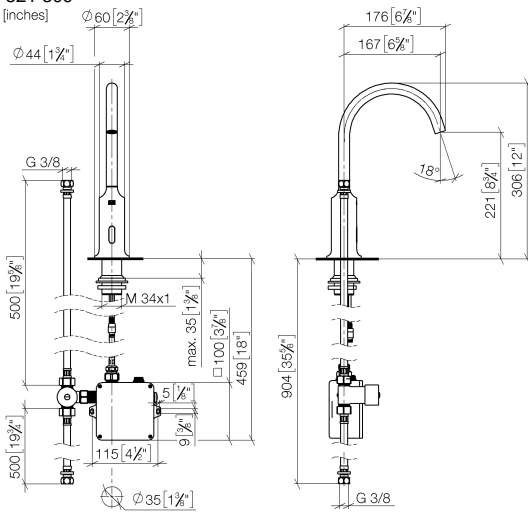
- Infrared sensor technology
 - 167mm projection
 - height of mixer 306 mm
 - height up to aerator 221 mm
 - hole diameter 35 mm
 - fixed spout
 - max. flow 5.7 l/min
 - circular, air-enriched flow
 - suitable for thermal disinfection
 - Automatic shut-off after pre-set time is reached
 - Indirect temperature control (undercounter)
 - Control box included
 - Adjustable sensor detection range
 - Battery or plug-in power supply operated (batteries not included)
 - 4x AA (1.5V) batteries required
 - lead-free
 - 1x screw-in M 8 x 1 pressure hose, leak-tested
 - This product can help a building meet the requirements of Green Building Rating Systems, e.g. LEED®, BREEAM®, DGNB
- Batteries not included

	Brushed Dark Platinum	44 521 809-99
	Chrome	44 521 809-00
	Brushed Platinum	44 521 809-06
	Platinum	44 521 809-08
	Dark Chrome	44 521 809-19
	Brushed Durabronze (23kt Gold)	44 521 809-28
	Matte Black	44 521 809-33
	Brushed Bronze	44 521 809-42
	Brushed Champagne (22kt Gold)	44 521 809-46
	Champagne (22kt Gold)	44 521 809-47
	Brushed Chrome	44 521 809-93

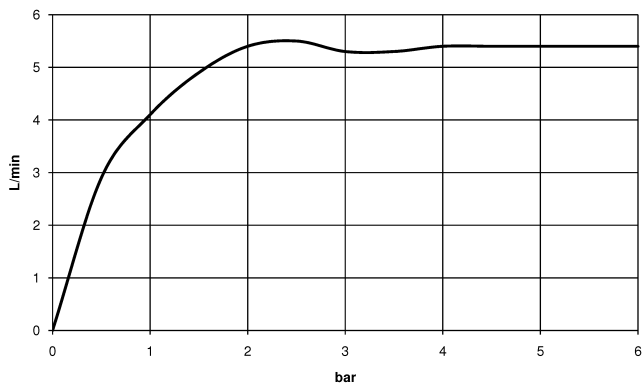
44 521 809

mm [inches]

1:5



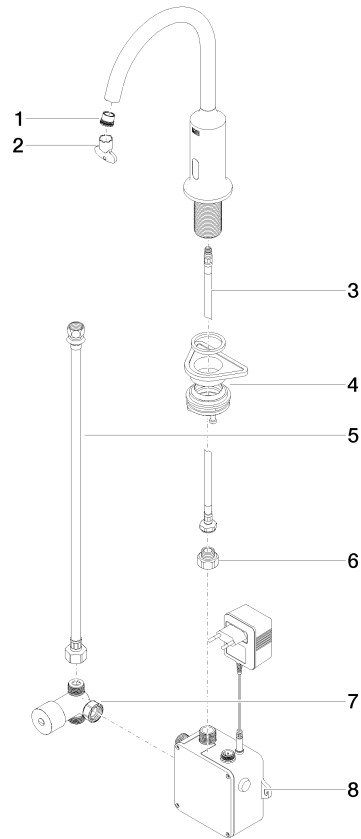
Flow rate chart



Certificates

Belgaqua_23-210- 27_1. LGA_38245. WRAS_2211011. GDV_0400278.

44 521 809
Parts for other
finishes can be found
here: [Chrome](#)



Spare parts list

No.	Item Number	Name	Quantity used	Delivery time
1	09 29 03 126 90	aerator	1	2
2	90 30 09 028 00 90	key	1	2
3	04 30 04 100 00 90	hose	1	2
4	04 23 10 044 08 90	fixing set	1	2
5	12 506 970 90	High pressure hoses -	1	2
6	09 24 03 185-00	nipple	1	10
7	90 30 50 081 00 90	valve	1	2
8	90 10 01 247 00 90	valve box	1	10